

U-Series Housings



Description

Achieve optimal network performance across a variety of data center and service provider applications with U-Series Housings. Compatible with a wide range of U-Series cassettes and adapter plates, this modular connectivity solution gives you the most flexible approach to building a high-density network with up to 144 LC ports (288 fibers) utilizing LC duplex in 2RU of space.

Features and Benefits

Front and Rear Cable Management

- Easy access for efficient cable loading and patching
- Run assemblies to the left, right, top, or bottom of the housing depending on where you need to connect

Front and Rear Loadable Cassettes

- Easily accessible and facilitates faster installation

Easy Moves, Adds, and Changes (MACs)

- Cassettes can be locked in a parked or maintenance position for simplified patching

Customizable Labeling

- Effective identification for network maintenance, upgrades, and troubleshooting

Shallow-Depth Deployment

- Can be installed in shallow-depth cabinets (<300mm) with front and rear management removed

Applications

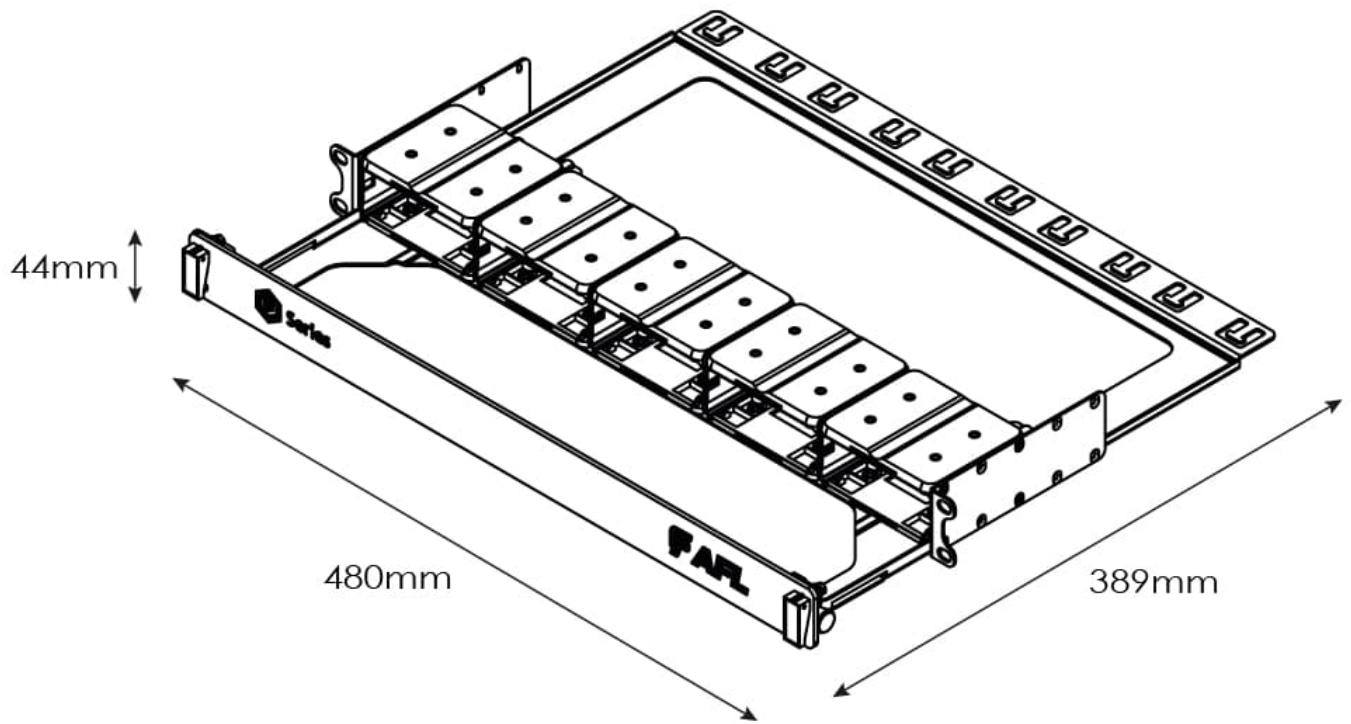
- Data Center
- Central Office
- Campus
- Office Backbone

Specifications

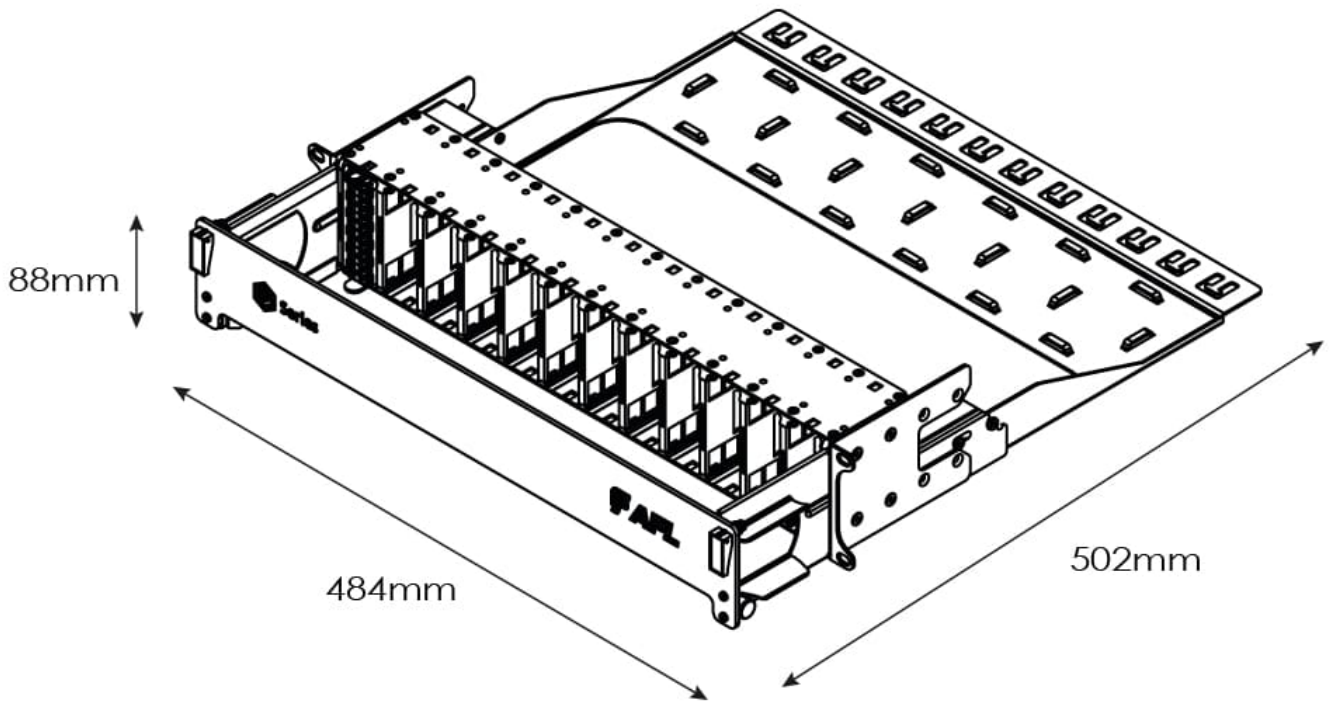
Unit Height	1RU	2RU
Capacity	Up to 5 U-Series Cassettes Maximum density of: LC: 60 ports (120 fibers) MPO: 60 ports (720 fibers)	Up to 12 U-Series Cassettes Maximum density of: LC: 144 ports (288 fibers) MPO: 144 ports (1728 fibers)
Product Dimensions	Height: 44mm (2.8 inches) Width: 480mm (19 inches) Depth: 389mm (15.3 inches)	Height: 88mm (3.5 inches) Width: 484mm (19 inches) Depth: 502mm (19.8 inches)
Package Dimensions	Height: 70mm (1.7 inches) Width: 520mm (20.4 inches) Depth: 435mm (17.1 inches)	Height: 155mm (6.1 inches) Width: 520mm (20.4 inches) Depth: 315mm (12.4 inches)
Weight	Product weight: 1.6kg Packaged weight: 2kg	Product weight: 2.6kg Packaged weight: 3.2kg
Materials	ABS, CR4 Steel, Aluminum	
Materials Compliant	RoHS, Reach / SVHC, UL 94V-0	
Regional Availability	Global	

Technical Drawing

U-Series 1RU Housing ISO Drawing



U-Series 2RU Housing ISO Drawing



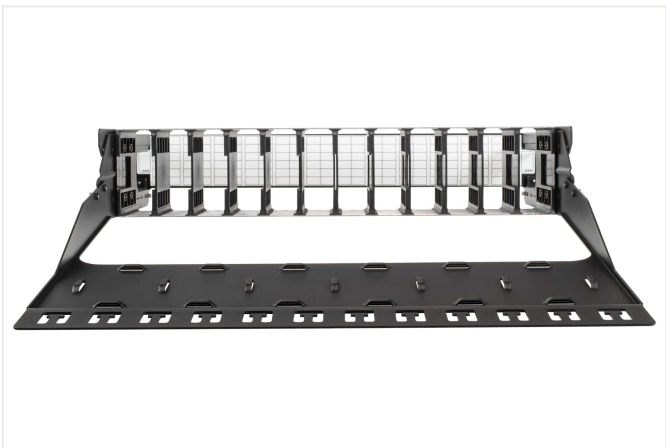
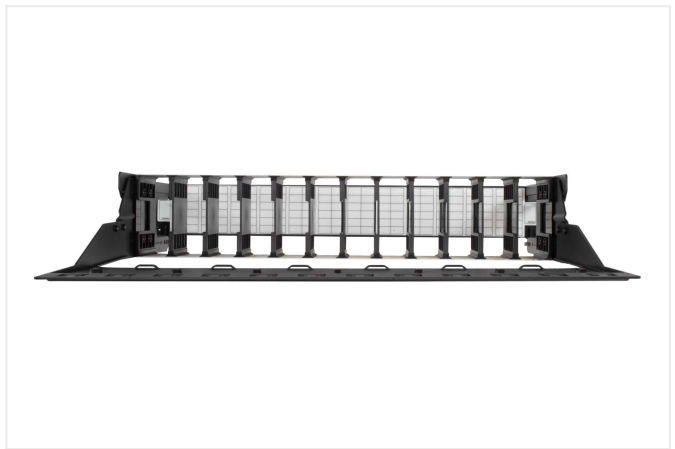
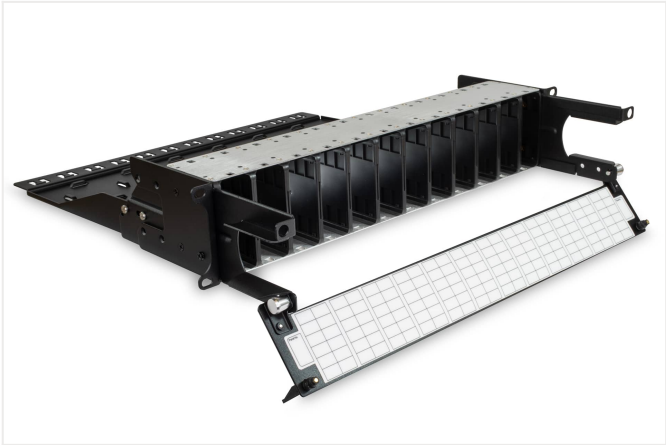
Ordering Information

Description	Part Number
AFL U-Series 1RU Housing, up to 5 Cassettes	FXUCXXBXXX-01BH
AFL U-Series 2RU Housing, up to 12 Cassettes	FXUCXXBXXX-02BH

Regional Availability

USA	EMEA	INDIA	APAC (excluding India)
+1-866-814-8615 usasales-hyp@aflglobal.com	+44 1908 441 144 emeasales-hyp@aflglobal.com	+91 80 46874687 indiasales-hyp@aflglobal.com	+86 755 2561 3694 apacsales-hyp@aflglobal.com

Additional Images







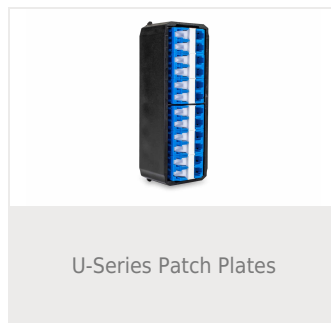
Related Products



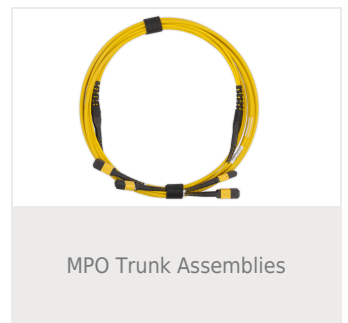
U-Series MPO Fanout Cassettes



U-Series Splice Cassettes



U-Series Patch Plates



MPO Trunk Assemblies



LC Reversible Polarity Uniboot Patch Cord



1RU Cable Bar With 74mm Hoops