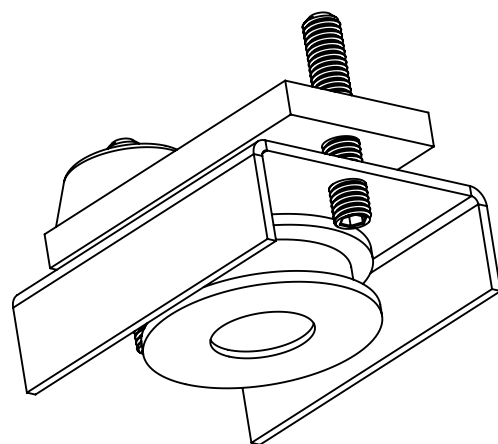
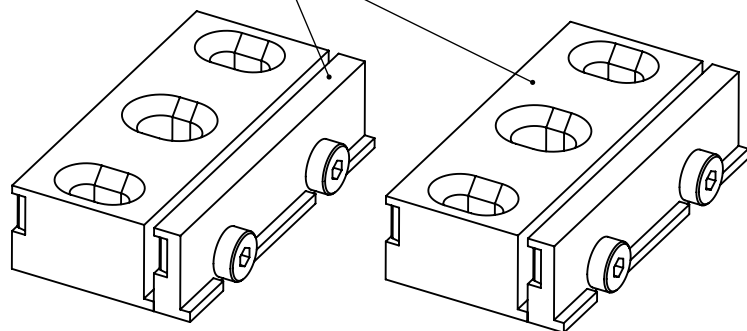
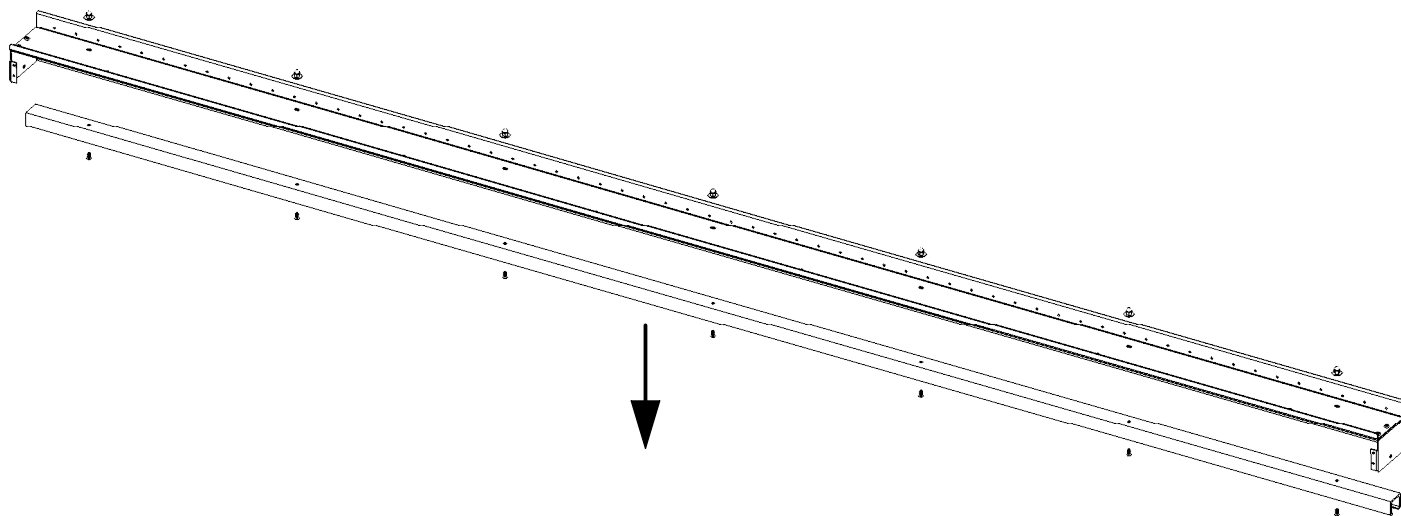


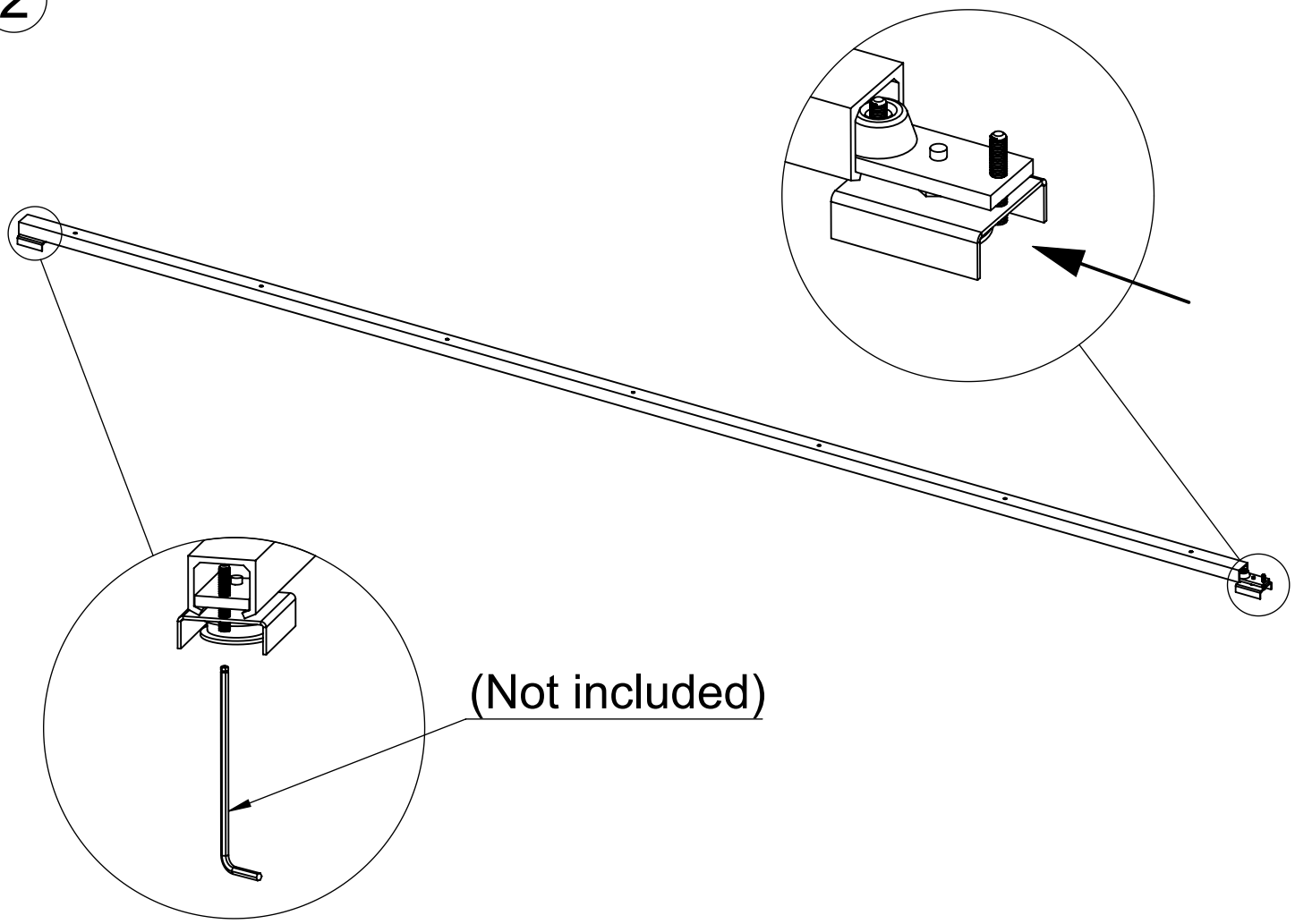
For the right door



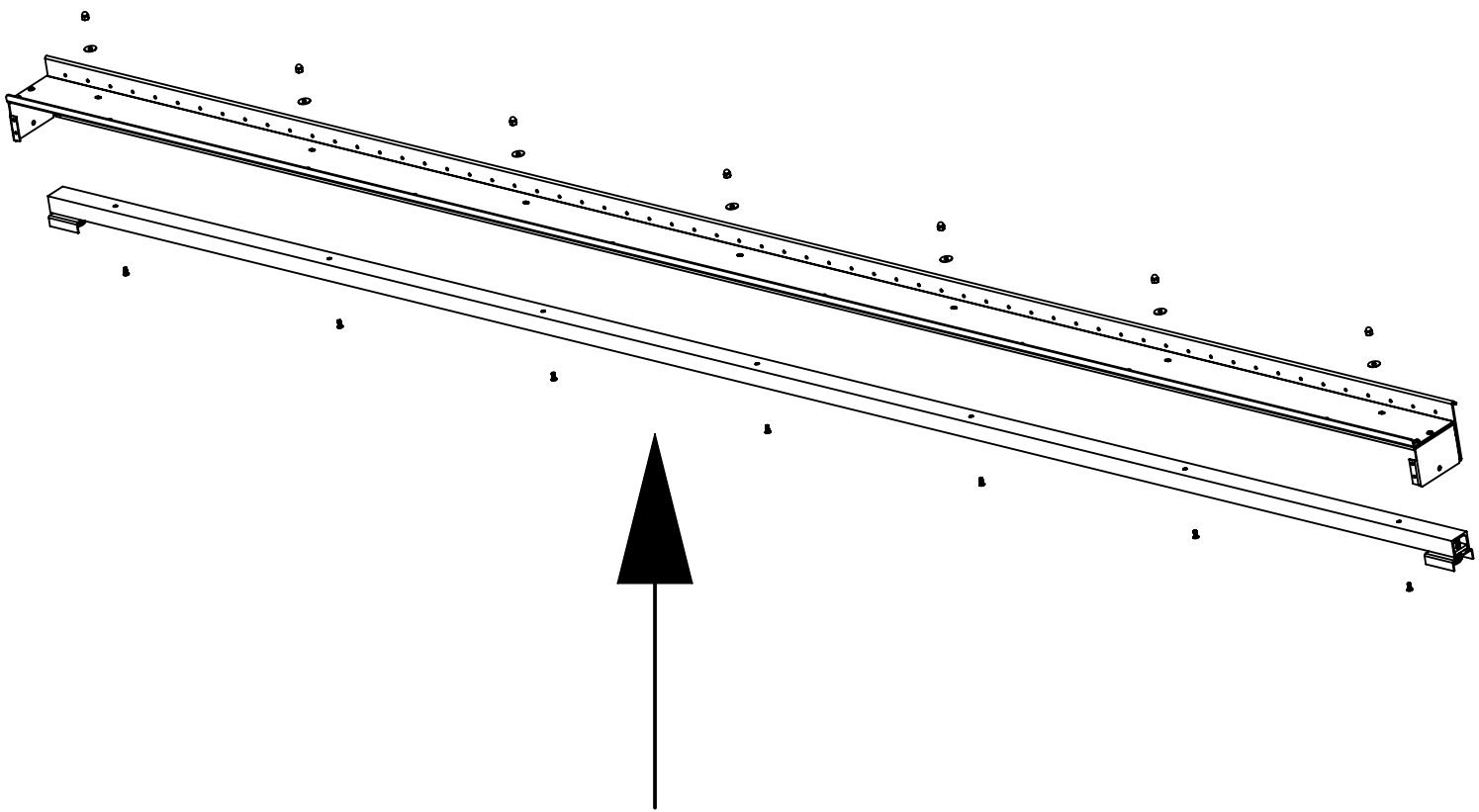
1



2



3

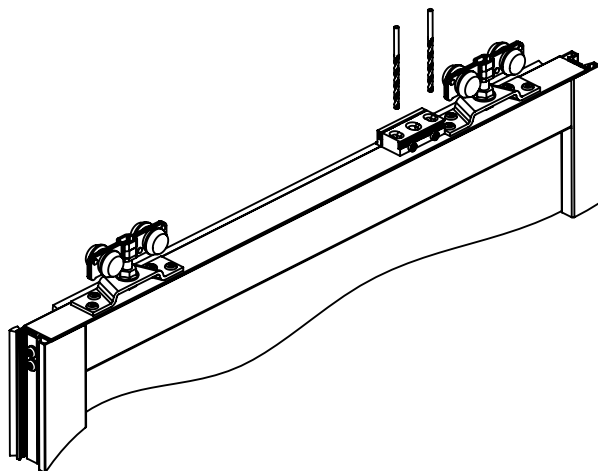
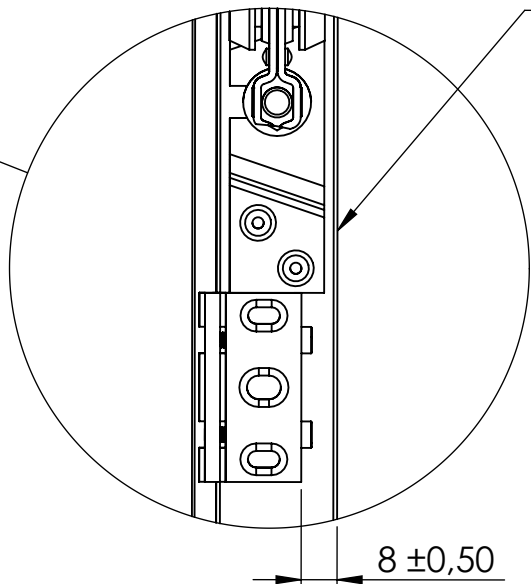


4

Left door

Top view
Front

Drill $\varnothing 3,70$ (2x)

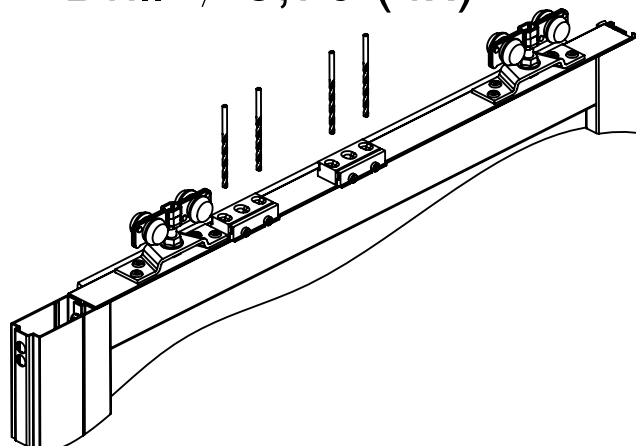
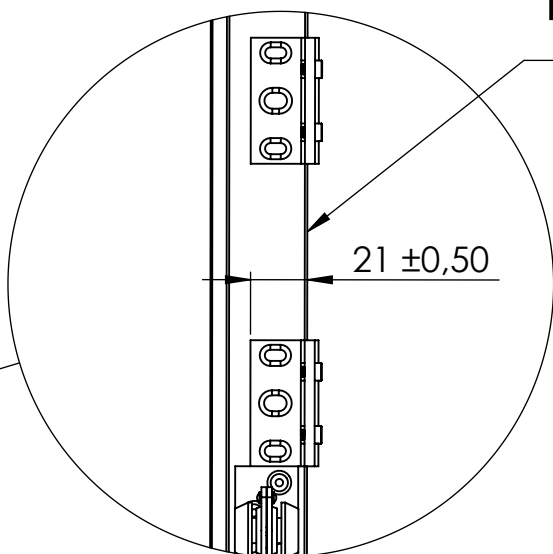


5

Right door

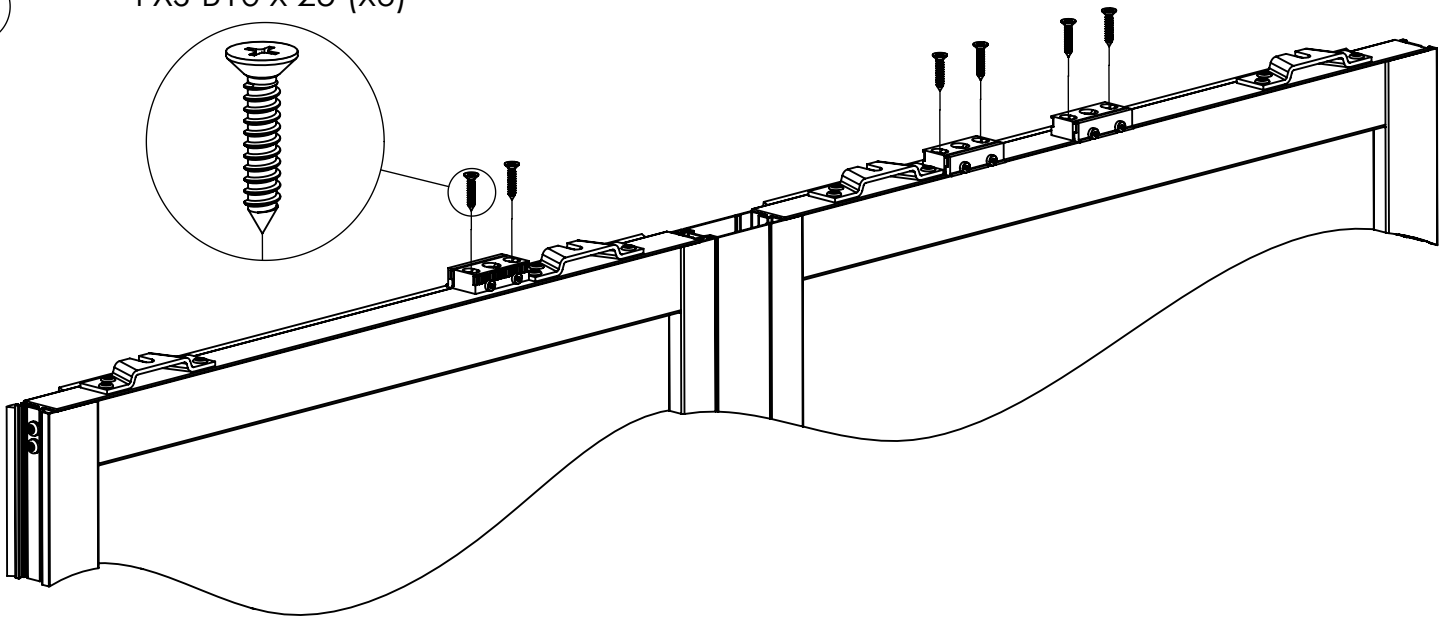
Top view
Front

Drill $\varnothing 3,70$ (4x)



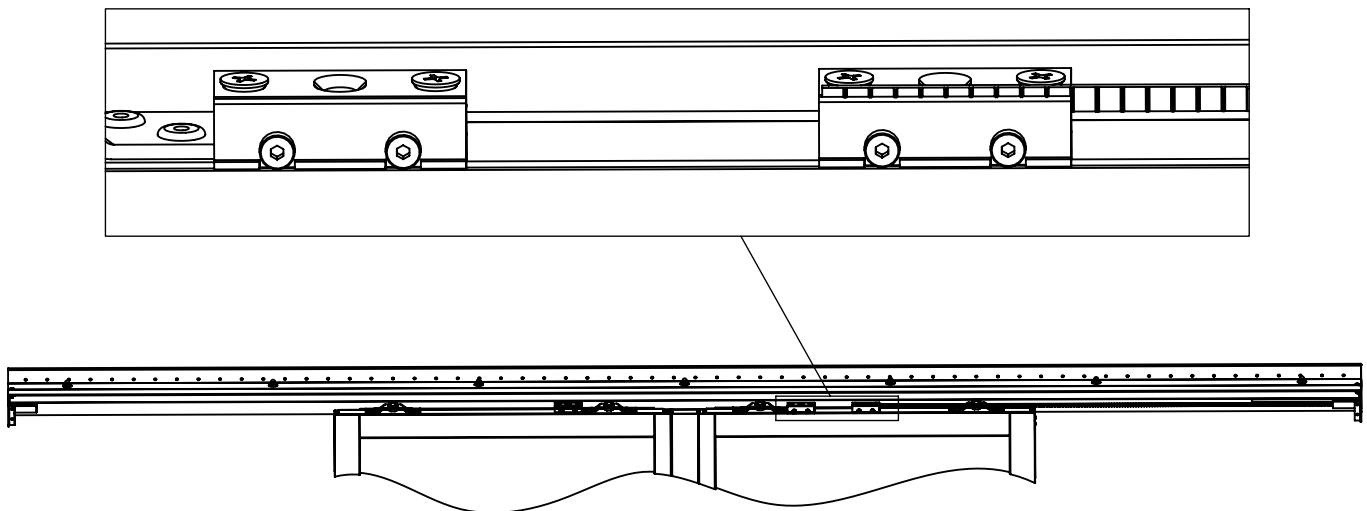
6

FXS B10 x 25 (x6)

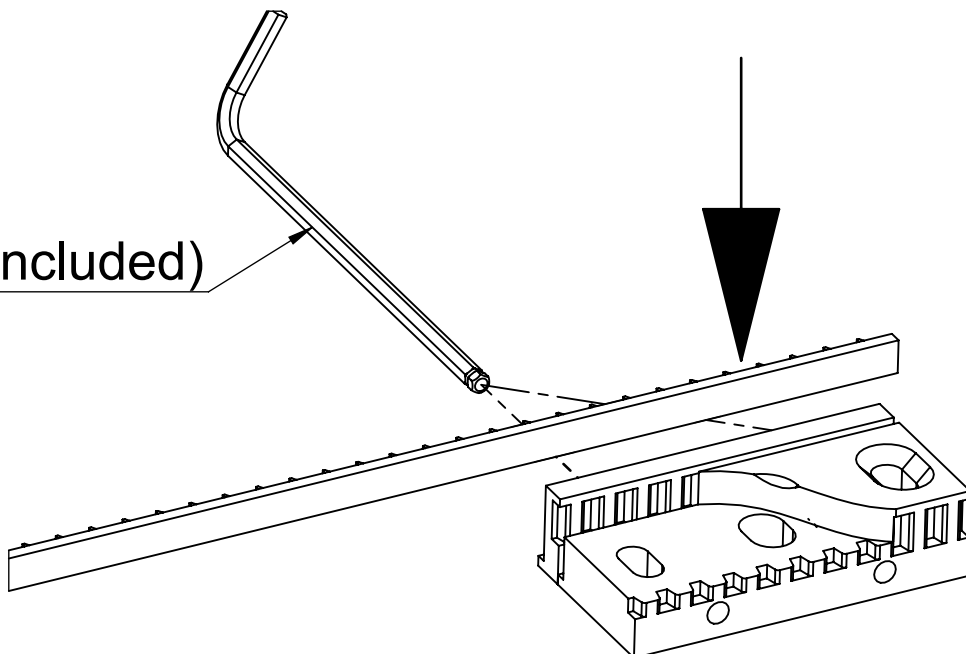


7

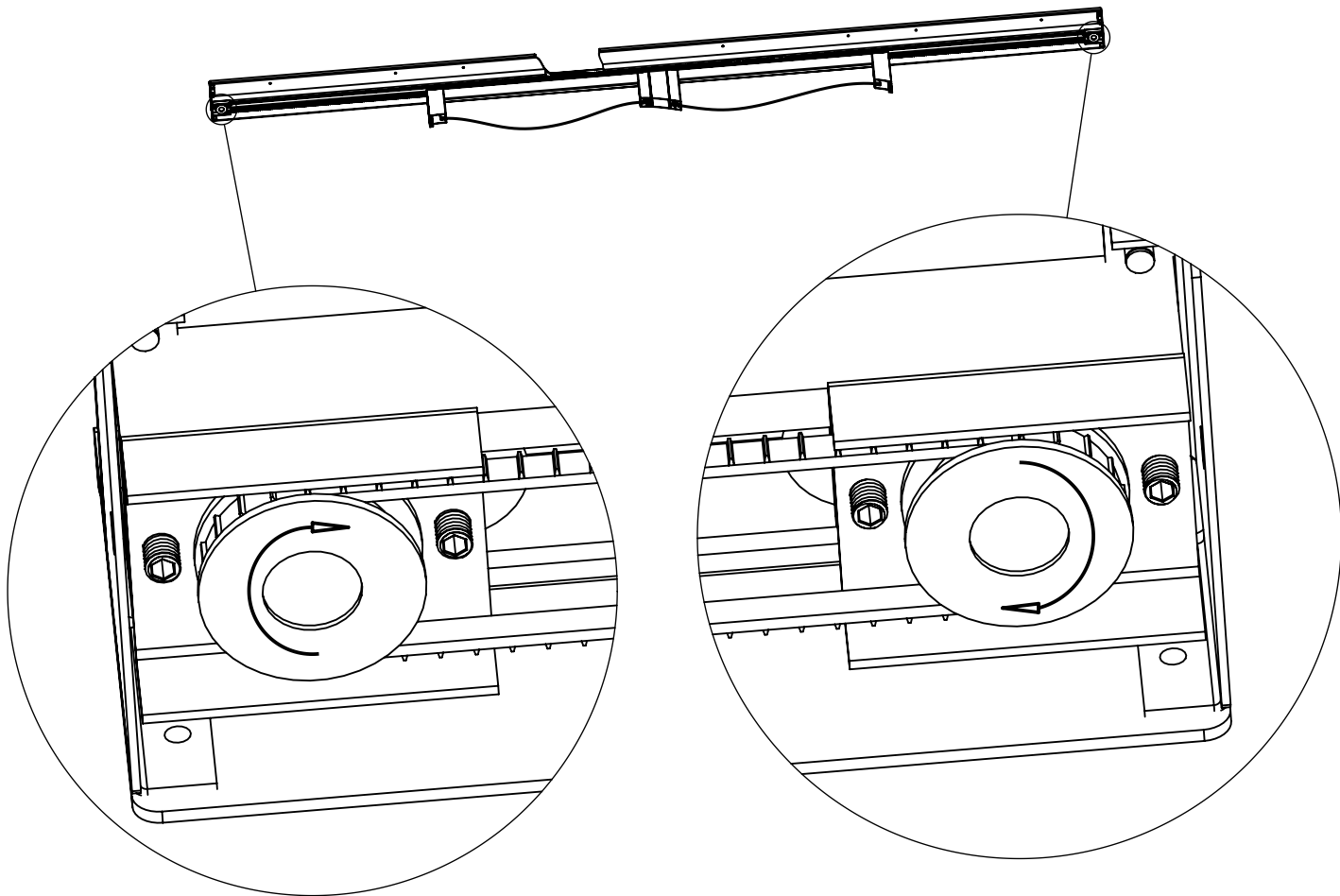
Right door
Front view



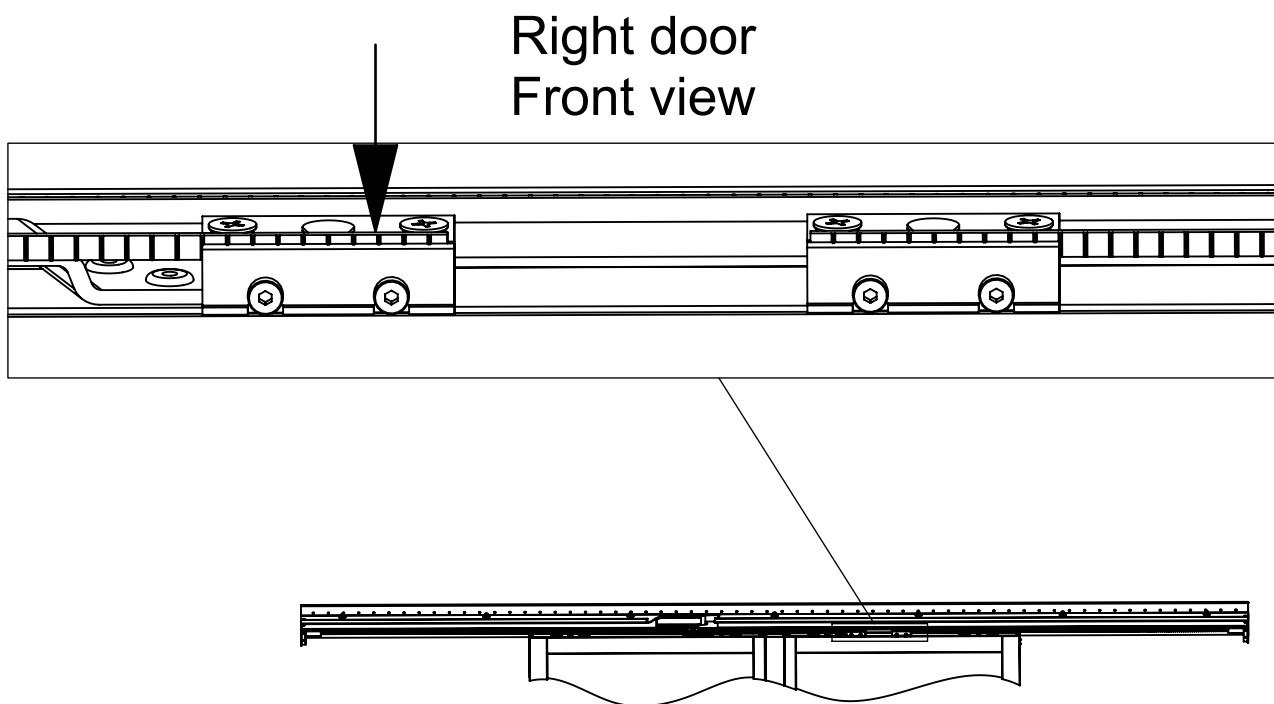
(Not included)



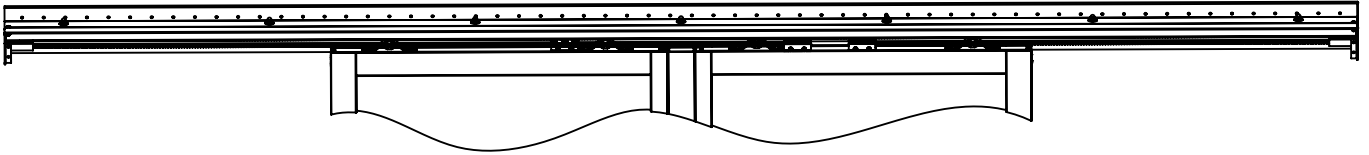
8



9



10



Push the doors together
before the drive belt is
placed on the left door.

