

## FOCIS Flex Fiber Scope



## Description

FOCIS Flex is an ultra-compact Fiber Optic Connector Inspection Scope utilizing the latest liquid lens camera technology for fast auto-focus, centering and PASS/FAIL analysis. With the press of a single button, FOCIS Flex auto-focuses, captures and centers the end-face image, applies pass/fail rules and stores the image locally. Alternatively images can be sent to the FOCIS App (iOS and Android) which provides a comprehensive and user-friendly feature set as well as connectivity with aeRos® cloud-based Workflow and Test Management Solution.

## Features and Benefits

- Auto-focus & auto-centering for fast, easy inspection
- IEC, IPC and user-defined pass/fail analysis
- Save results internally and upload via USB
- Ergonomic design fits easily in the palm of your hand
- Self-contained, tether-free, handheld inspection solution
- Use independently, or pair with the FOCIS test app, ROGUE® or FlexScan® OTDR
- Create inspection reports using aeRos® or included TRM 2.0 software

## Applications

- Inspect patchcord and panel-mounted connectors
- Assure critical fiber infrastructure performs properly
- Optical network installation and troubleshooting
- Verify proper connector cleaning practices
- Keep fiber connections working at optimal performance

## Specifications

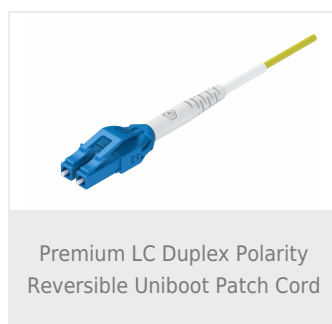
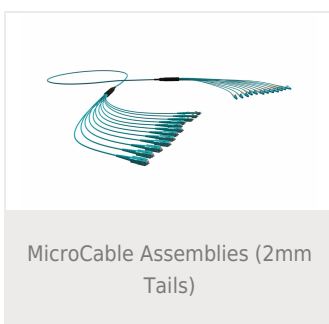
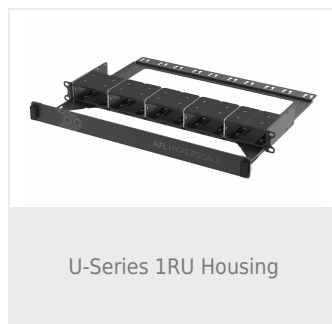
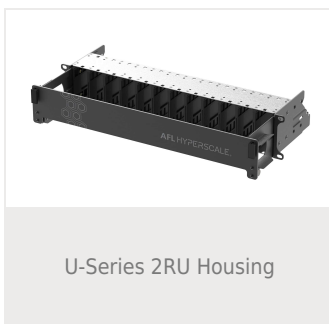
| OPTICAL PERFORMANCE                       |   |
|---|---|
| Field of View (viewed on FOCIS Flex)      | Live: 710 x 860 $\mu\text{m}$ ; Captured, Zoomed Out: 560 x 600 $\mu\text{m}$ ; Captured, Partially Zoomed In: 360 x 390 $\mu\text{m}$ ; Captured, Fully Zoomed In: 180 x 195 $\mu\text{m}$ |
| Field of View (Viewed on a PC)            | Stored, Zoomed Out: 700 x 525 $\mu\text{m}$ ; Stored, Fully Zoomed In: 240 x 180 $\mu\text{m}$  |
| Manual Detection Capability (minimum)     | 0.25 $\mu\text{m}$  |
| Auto Analysis Resolution                  | <1.0 $\mu\text{m}$  |
| Captured Image Size (Pixels)              | 648 x 480 VGA; Images stored internally in three .JPG files, one at each FOV  |
| OPERATING FEATURES                        |   |
| Focus                                     | Auto-focus and manual focus   |
| Centering                                 | Auto-centering after capture  |
| Pass/Fail Analysis                        | IEC 61300-3-35 (2015), IPC and user-defined criteria  |
| Image Capture and File Storage Capacity   | 10,000 files  |
| File Format (Image and Pass/Fail Results) | jpg, gif  |
| Bluetooth Characteristics                 | SPP to FlexScan and FlexTester OTDRs; IAP to iOS devices  |
| USB Characteristics                       | USB 1.1 mass storage device   |
| Supported Languages                       | English, Chinese Simplified, Chinese Traditional, Finnish, French, German, Italian, Japanese, Korean, Polish, Russian, Spanish, Turkish   |
| PHYSICAL AND POWER CHARACTERISTICS        |   |
| Display size, type, resolution            | 2.4", TFT, 240 x 320 with brightness control  |
| Battery Type                              | NiMH, user replaceable  |
| Battery Operating Time (typical)          | 8 hours (60 tests in 20 minutes each hour; auto-off enabled)  |
| Recharge Time                             | <4.5 hours  |
| Power Save Features                       | Auto-off (disabled, 2, 5, 10 minutes)   |
| AC Charger voltage, frequency, current    | 100-240 V, 50/60 Hz, 5VDC, 2A   |
| Size                                      | 47 x 37 x 183 mm (1.8 x 1.5 x 7.2 in)   |
| Weight                                    | 240 g (0.5 lb)  |
| ENVIRONMENTAL CHARACTERISTICS             |   |
| Operating Temperature                     | 0 to +50 $^{\circ}\text{C}$   |
| Storage Temperature                       | -40 to +70 $^{\circ}\text{C}$   |
| Relative Humidity                         | 95%, non-condensing   |
| Transit and shock                         | 2G vibration, 30G shock   |

## Ordering Information

| PART NUMBER     | DESCRIPTION   |
|-----------------|---|
| FOCIS-FLX-P4XN  | FOCIS Flex Kit with no tips   |
| FOCIS-FLX-P4XU  | FOCIS Flex Kit with 2 user-selected UPC adapter tips (ferrule and bulkhead)       |
| FOCIS-FLX-P4XA  | FOCIS Flex Kit with 2 user-selected APC adapter tips (ferrule and bulkhead)       |
| FOCIS-FLX-P4XUA | FOCIS Flex Kit with 4 user-selected UPC & APC adapter tips (ferrule and bulkhead) |
| FFLX-01-SC      | SC/UPC bulkhead   |
| FFLX-01-FC      | FC/UPC bulkhead   |
| FFLX-01-ST      | ST/UPC bulkhead   |
| FFLX-01-LC      | LC/UPC bulkhead   |
| FFLX-4S-ASC     | SC/APC bulkhead, quad slotted   |
| FFLX-4S-AFC     | FC/APC bulkhead, quad slotted   |
| FFLX-4S-ALC     | LC/APC bulkhead, quad slotted with internal prism                                 |
| FFLX-01-U25     | Universal 2.5 mm, UPC ferrule   |
| FFLX-01-A25     | Universal 2.5 mm, APC ferrule   |
| FFLX-01-U125    | Universal 1.25 mm, UPC ferrule  |
| FFLX-01-A125    | Universal 1.25 mm, APC ferrule  |

Each FOCIS Flex Kit includes: FOCIS Flex probe with wrist strap and dust cap, TRM® 2.0 Basic (Test Results Manager software), AC charger with country-specific plug, USB cable, quick reference guide, and soft carry case with strap. Choose between SC, ST, FC and LC adapter tips for UPC Kits. SC, FC and LC for APC kits.

## Related Products





One-Click® Cleaner D-LC,  
Duplex LC